



Relay module Installation

The SD-1-DR relay module can be connected anywhere along the two-wire cable network. **A separate 24 volt AC power supply is required** to provide power to standard 24VAC solenoid coils.

RelayCubes are supplied with a 2 Amp fuse.

Module SD-1-DR has a capacity of 1-24 outputs.

Model SD-2-DR has 25-48 outputs

Model SD-3-DR has 49-72 outputs

Model SD-4-DR has 73-96

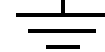


Lightning protection

Do not connect Two-wire cable directly to the controller. Install the SD-SP device to the controller terminals [O/P] connect to ground stake 10 Ohms or less resistance to earth.

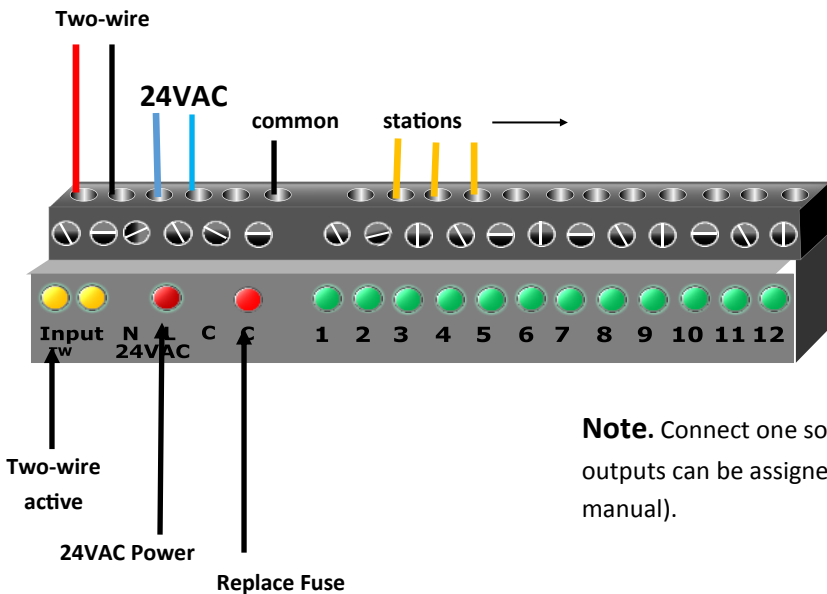
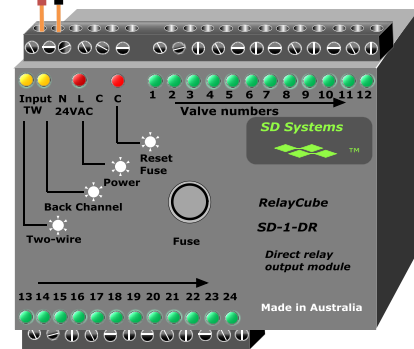
Locate as close as possible to ground earth stake.

Two-Wire Path (twisted pair cable)



Module clips to standard 35mm DIN rail

Caution. If both a RelayCube and 2-wire DataValves are connected, be sure all DataValves are programmed to a different address to that of the directly wired (RelayCube) valves.



Note. Connect one solenoid valve per output. Once connected outputs can be assigned to stations using the controller (refer to manual).