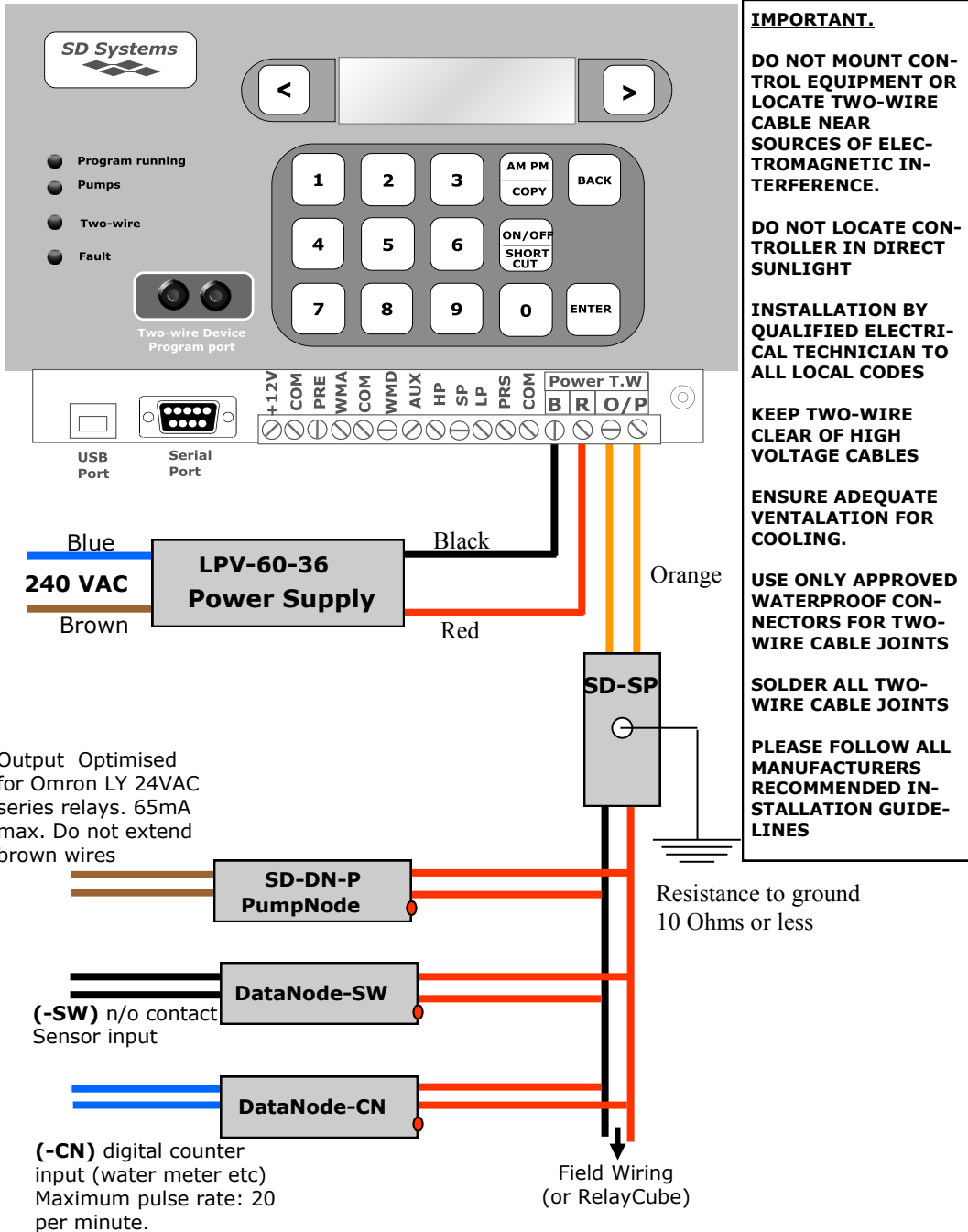


## SDS Wiring Diagram



**IMPORTANT.**

DO NOT MOUNT CONTROL EQUIPMENT OR LOCATE TWO-WIRE CABLE NEAR SOURCES OF ELECTROMAGNETIC INTERFERENCE.

DO NOT LOCATE CONTROLLER IN DIRECT SUNLIGHT

INSTALLATION BY QUALIFIED ELECTRICAL TECHNICIAN TO ALL LOCAL CODES

KEEP TWO-WIRE CLEAR OF HIGH VOLTAGE CABLES

ENSURE ADEQUATE VENTILATION FOR COOLING.

USE ONLY APPROVED WATERPROOF CONNECTORS FOR TWO-WIRE CABLE JOINTS

SOLDER ALL TWO-WIRE CABLE JOINTS

PLEASE FOLLOW ALL MANUFACTURERS RECOMMENDED INSTALLATION GUIDELINES